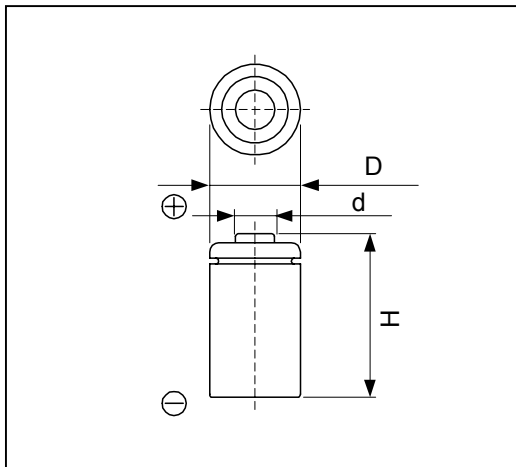


Cell Type CR15270 Specifications



| | | |
|--------------------------------|--------------------------|--------------|
| Nominal Capacity* ¹ | | 850mAh |
| Nominal Voltage | | 3V |
| Standard Discharge Current | | 10mA |
| Max. Discharge Current | Continuous* ² | 1000mA |
| | Pulse* ³ | 2500mA |
| Temperature Range | | -40°C ~ 60°C |
| Weight | | 11g |
| Dimensions | D | 15.5mm |
| | H | 27.0mm |
| | d | 6.3mm |

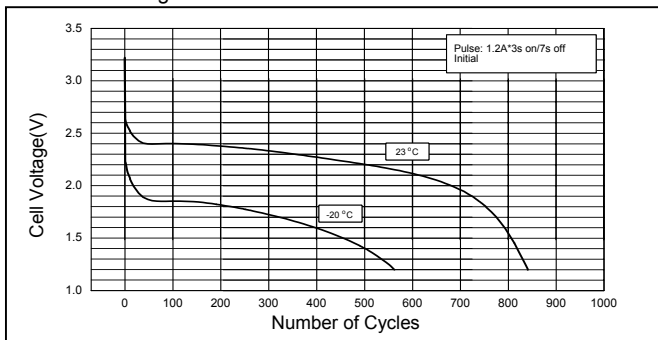
*1 Nominal capacity is determined to an end voltage of 2.0V when the battery is allowed to discharge at a standard current level at 23°C.

*2 Current value is determined to be the level at which 50% of the nominal capacity is obtained with an end voltage of 2.0V at 23 °C.

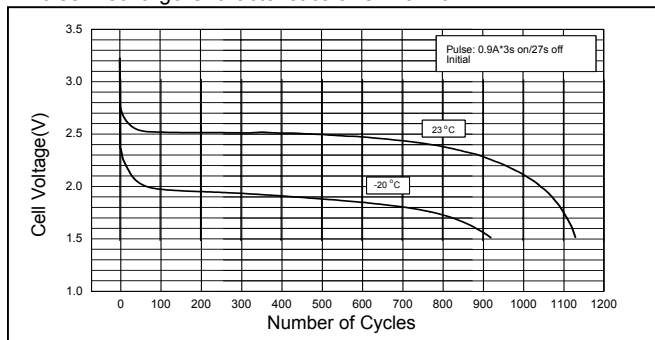
*3 Current value for obtaining 1.0V cell voltage when pulse is applied for 15seconds at 50% discharge depth at 23 °C.

Typical Characteristics

Pulse Discharge Characteristics of CR15270



Pulse Discharge Characteristics of CR15270



Discharge Characteristics of CR15270

